

Skylight, Chimney, and Roof to Wall Details:

ROSER ROOFING SYSTEM
Stone Coated Steel Roof

Fig. #1

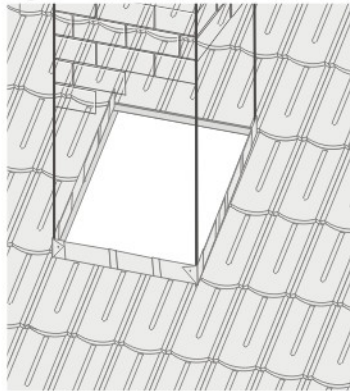


Fig. #2

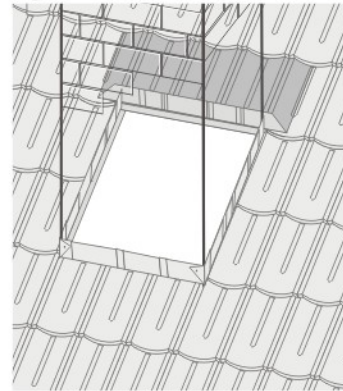


Fig. #3

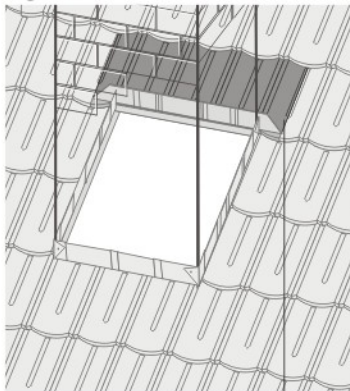
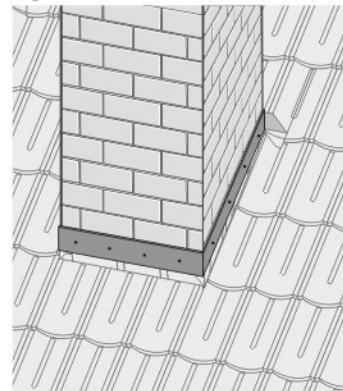
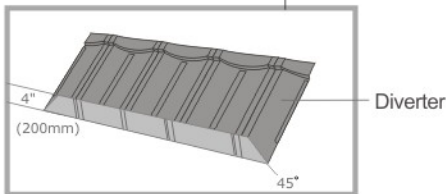


Fig. #4



Fascia/counter flashing

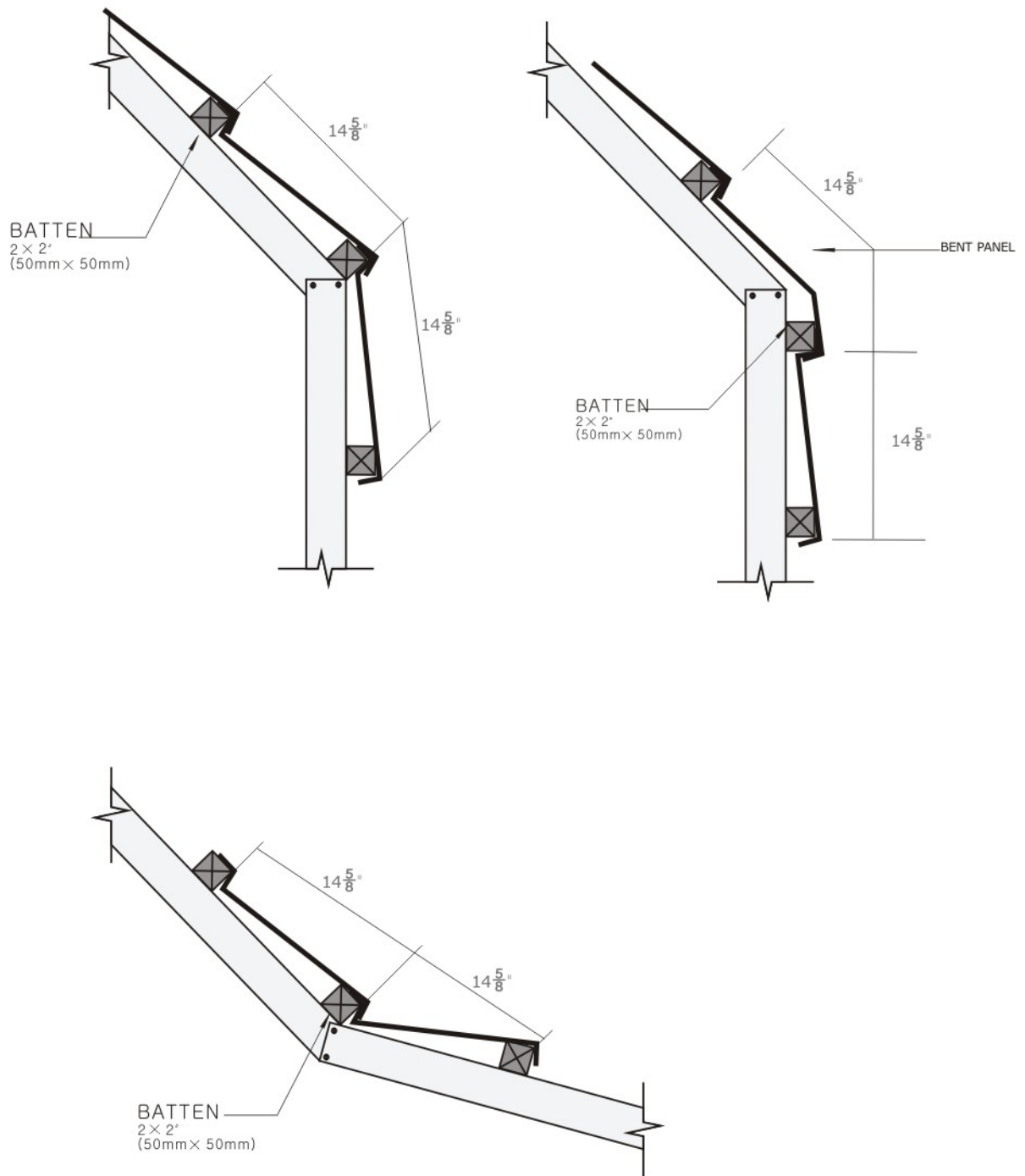


Begin by preparing the area to be flashed if, as in the above example, the area is a Chimney proceed as follows:

- 1) Measure 7" above the roof sheathing or 1X4 in the case of a re-roof and mark around the chimney.
- 2) Snap a chalk line at the 7" mark around the brick chimney.
- 3) Using a diamond or masonry blade notch into the brick with a circular saw, the width of the blade.
- 4) Install the panels along the front side of the chimney first. Measure for the bend line and add 2" for the cut line. At the vertical intersections on both sides cut the upturn on a 45 degree angle and bend the upturn around the vertical surface and secure. Note. Be sure and use sealant in this area.(Fig.#1)
- 5) Install both sides of the chimney in the same manner.(Fig.#2)
- 6) Install the back section in the same manner as the front, taking care to wrap around both sides and fasten. Apply sealant to all four corners and chip with a Roser finishing kit. Additionally a diverter can be installed over the rear panel to aid in the water proofing.(Fig.#3)
- 7) Insert and install the Roser Fascia/counter flashing into the notched brick on all four sides, fasten and seal.(Fig.#4)

Pitch Change Details:

Be sure and keep a 14 5/8" spacing between battens, as shown in the below examples.



Pipe Flashing Detail:

Step #1- Install the Base pipe flashing directly on the solid sheathing. Install your underlayment below the front edge and on top of the back edge of the base flashing. Install the battens (Fig.#1). Install the full panels around the vent pipe by cutting a hole with your hand shears, to fit the size of the pipe vent. Step #2- Cut the skirt on the Top pipe flashing to fit height of the course, and fit it over the vent pipe. Mold the skirt of the flashing to fit the corrugations of the panel (Fig.#2). Using a width of panel, that is wide enough to cover the entire pipe flashing skirt, carefully cut a hole to fit around the cone of the flashing. Install the "cover panel" and fasten.(Fig.#3) Be sure to seal and chip around the cone using the Roser finishing kit.

Fig.#1

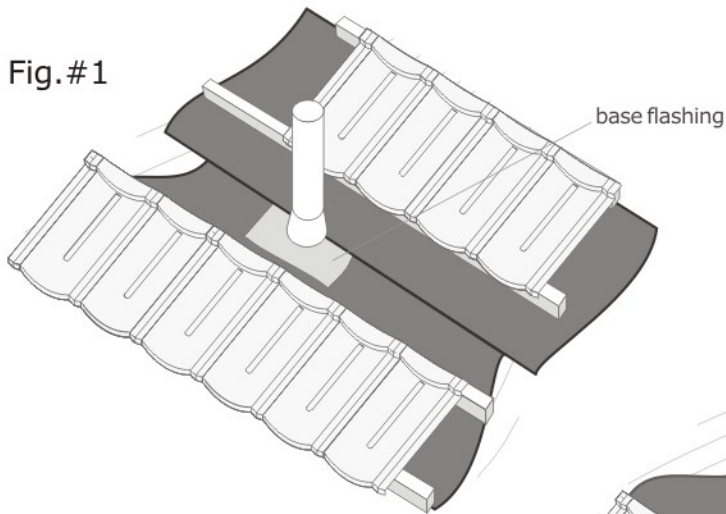


Fig.#2

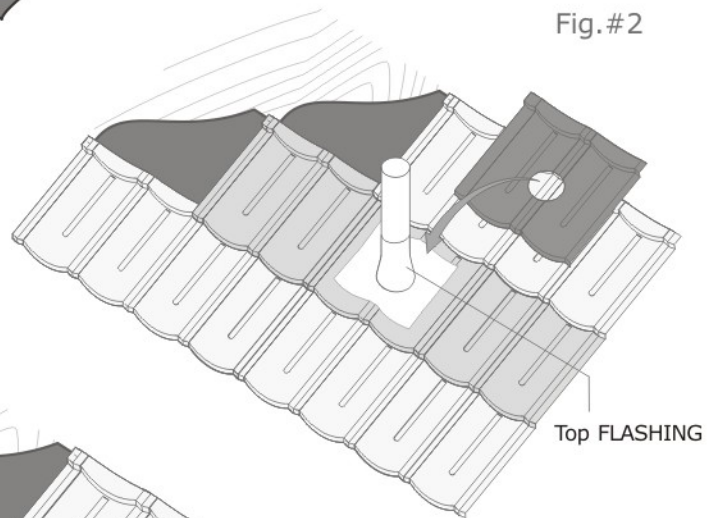
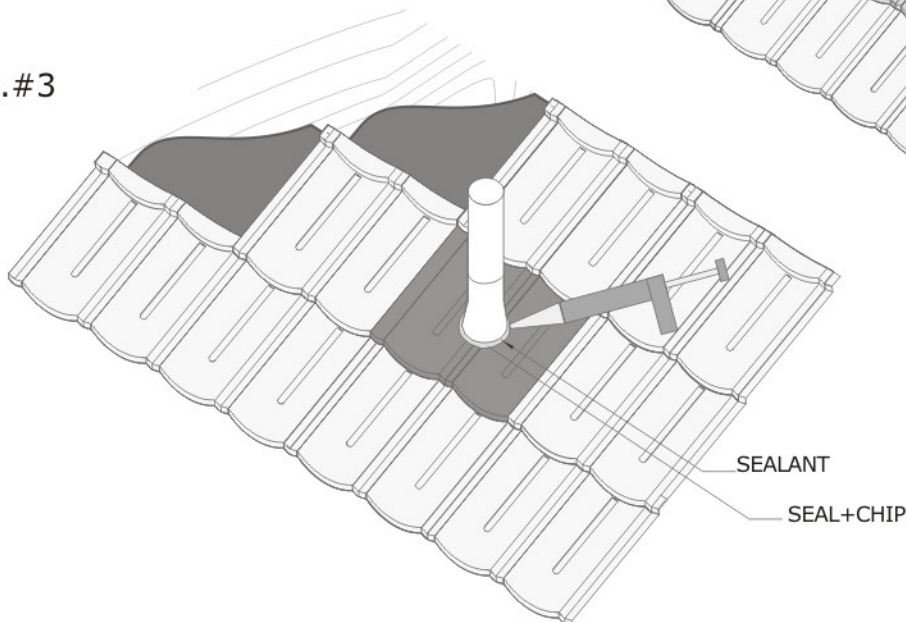
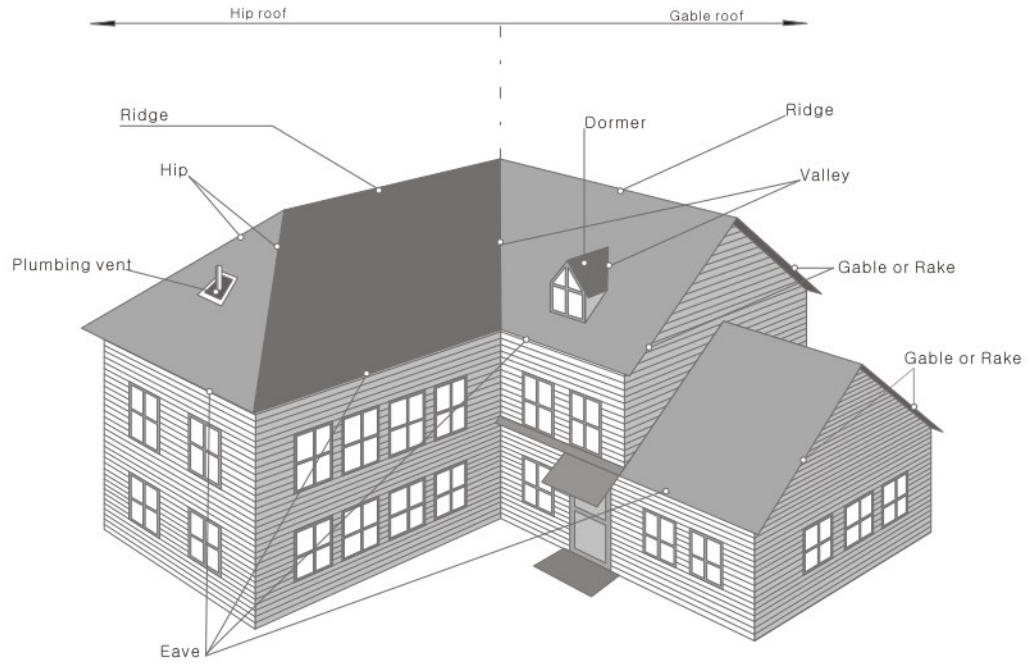


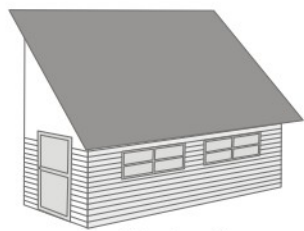
Fig.#3



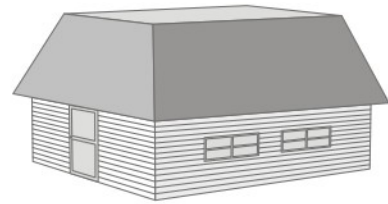
Typical Roof Types:



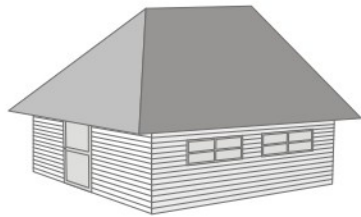
Typical roof types



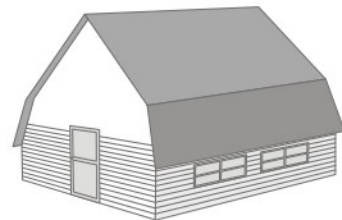
Shed roof



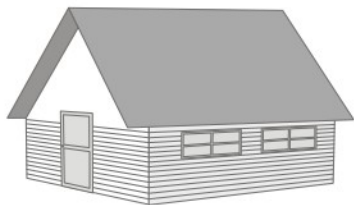
Mansard roof



Hip roof



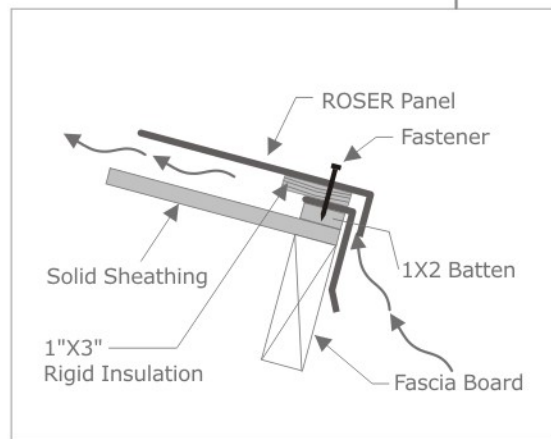
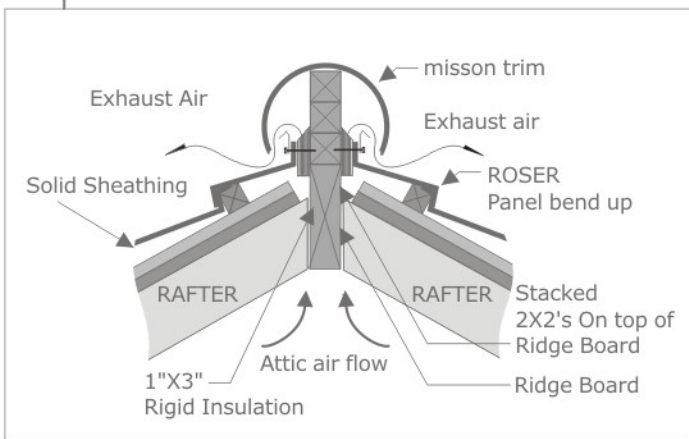
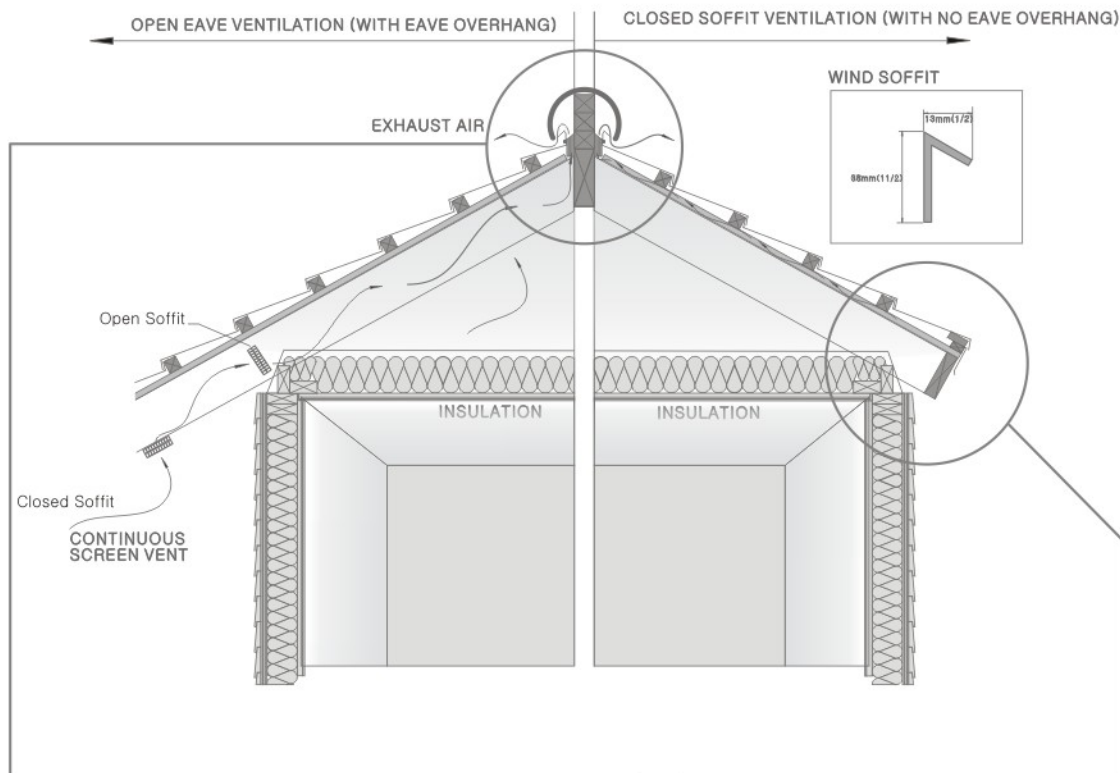
Gambrel roof



Gable roof

Ventilation- Eave and Ridge:

An over heated attic can reach over 170 degrees, resulting in higher utility bills. Proper ventilation will reduce the heat and reduce the moisture in your home. Inadequate ventilation will also cause ice damming in the winter, shortening the life of most roofs. Venting at the ridge draws cooler air through you soffit vent into your attic and allows hotter air to escape through the ridge vent. Venting under your Roser panels will help reduce heat transference from your roof into your attic. Proper ventilation and insulation, will keep your home comfortable and lower your utility costs.



Notes:

 **ROSER**
ROSER CO.,LTD.
ROSER ROOFING SYSTEM
Stone Coated Steel Roof www.ROSER.com



HEAD OFFICE / FACTORY

400, Nae-Ri, Apriang-Myeon,
Gyongsan-si, Gyongsanbuk-do, KOREA
Tel:+82-53-817-5000 Fax:+82-53-817-5454

SEOUL MARKETING OFFICE

Tower Crystal Bldg.9F, 1008-1, Daechi-Dong,
Kangnam-Gu, Seoul, Korea.
Tel:+82-2-566-7663 Fax: +82-2-563-7663

ROSER U.S.A : Roser Co. USA Ltd., 28241 Crown Valley Parkway Suite F408,
Laguna Niguel, CA. 92677. Phone & Fax: 1 949 362 0508
RoserUSA@roser.com